

BILL OF MATERIALS			
ITEM	NO.	UNIT	
1	HYDRANT HEAD ASSEMBLY 45'	1	EACH
2	PIPE-STANDPIPE	L.F.	
3	45' ELBOW	EACH	
4	PIPELINE	L.F.	
5	COUPLINGS	EACH	
6	PVC INTAKE STRAINER	1	EACH
7	NO. STONE	C.Y.	
8	"QUICK SETTING" PVC GLUE		
9	PRIMER CLEANER		
10	6"X 6"X 8' TREATED POST	2	EACH
11	4"X 4" TREATED TIMBER	1	EACH

ALL PIPE MATERIAL SHALL BE _____

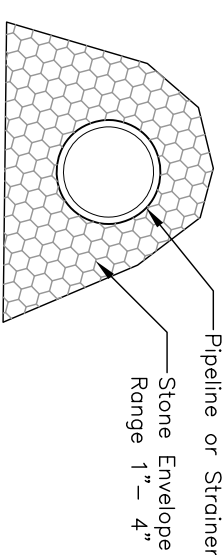
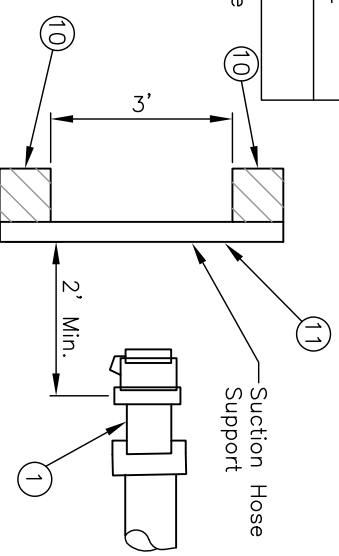
MEETING ASTM _____

Pipeline, Standpipe, & Strainer Must Be of the Same Material.

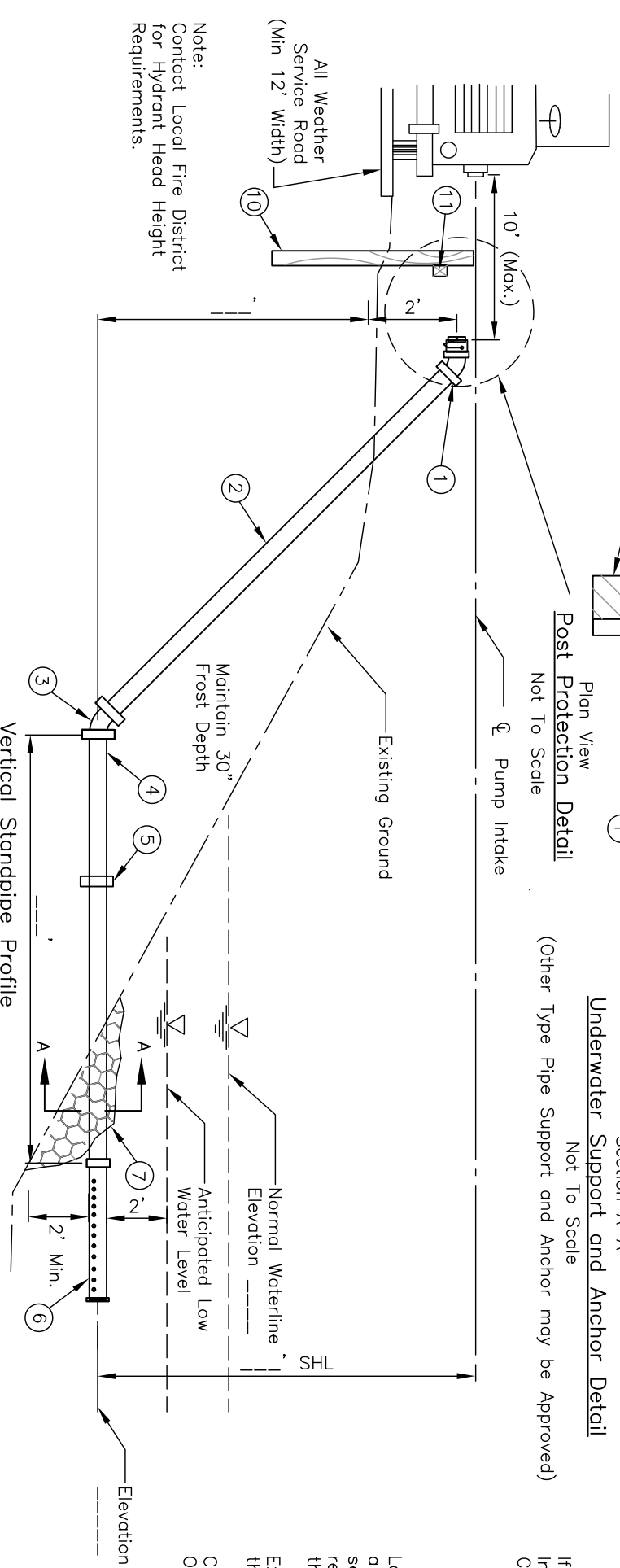
UNDERGROUND UTILITIES AT EXCAVATION SITE			
OHIO811 I.D.:		UTILITY INFORMATION 1/	
NAME	ADDRESS	PHONE NO.	NO. OF BASIS PARTICIPANT

1/ IF NO UTILITIES ARE IDENTIFIED IN AREA, CHECK BOX

This Installation Designed For _____ GPM.



Underwater Support and Anchor Detail
(Other Type Pipe Support and Anchor may be Approved)



Note:
Contact Local Fire District for Hydrant Head Height Requirements.

Benchmark Description:

Owner: _____
Address: _____

Detailed Hydrant Location Map
Scale: _____

No Person Shall Enter the Trench Unless all Provisions of OSHA 1926 Are Met! All Exposed PVC Surfaces Shall be Primed and Painted with Reflected Material. Reference the Attached Standard "Dry Hydrant".

CULTURAL RESOURCES DISCOVERY NOTE
If Cultural Resources items are Found during Construction, Immediately Stop Work and Notify the NRCS Cultural Resources Coordinator.

NOTICE TO LANDOWNER AND EXCAVATOR
Landowners or operators, sponsoring organizations, and contractors are liable for any damage resulting from disruption of a utility service caused by construction activities. NRCS makes no representation on the existence or non-existence of utilities on this site.
Excavator must notify all utilities at least 48 hours, and not more than 10 days, prior to the planned commencement of excavation.
Call OHIO811 (800-362-2764 or 811) for a listing of OUPS and OGPUPS members and limited basis participant members.

DATE	APPROVED	TITLE

REVISIONS